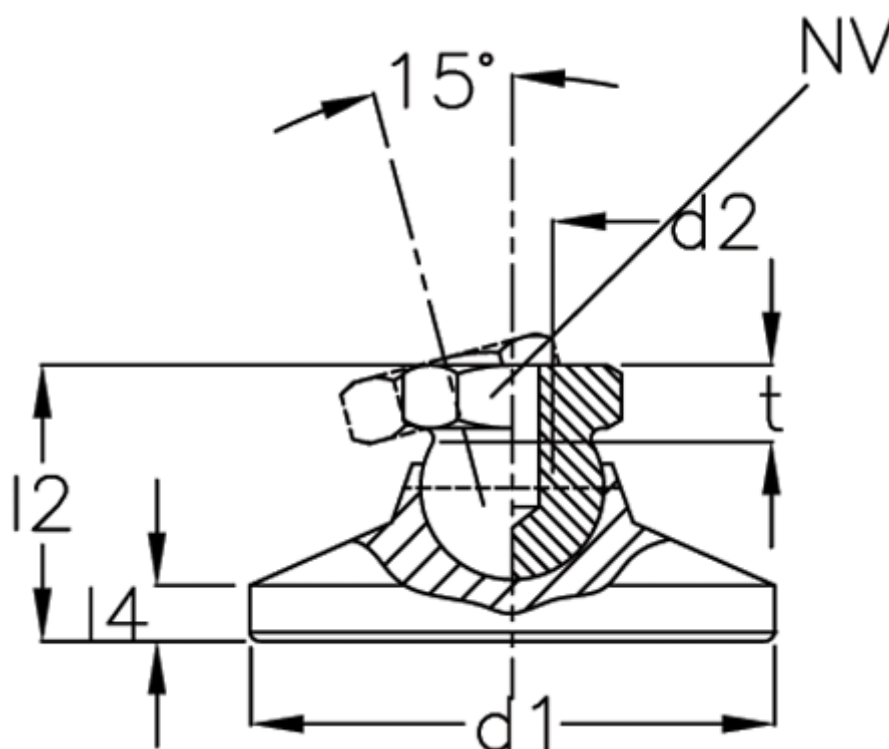


Article number: 20343125M6OS
Description: E+G levelling foot
GN 343.1-25-M6-OS

Measures



d1	= 25
d2	= 6
l2	= 19
l4	= 4
NV	= 12
Static load (kN)	= 7.5
t min	= 9